

MF-7913DRH24 Series

Semi-dry head, Cylinder-bed, Bottom Coverstitch Machine
with digital feed/For hemming <with left hand fabric trimmer>

This sewing machine is best-suited
to hemming of T-shirts and polo shirts.



The machine is provided with the digital type top-belt feed mechanism.

This mechanism prevents problems, such as twist of fabric, uneven material feed, skew of grain and stitch gathering on multi-layered sections of material, which are likely to occur when sewing elastic materials such as polyester fabric, thereby achieving stable seam quality.



Fabric damages of sewn products are eliminated.

The digital type top-belt feed mechanism smoothly and consistently feeds the material straight, thereby preventing wobbling of the material. In comparison with the conventional differential top and bottom feed mechanism, the top-belt feed mechanism does not leave damages and marks on the material even when a light-weight material is used.

Digital setting of the top-belt feed mechanism

Digital setting of the top-belt feed mechanism can be carried out with volume switch with ease.
(Volume can be adjusted and stored directly in memory.)

Reduction in setup time

Digital setting of the top-belt feed mechanism enables easy adjustment of sewing even when the product to be sewn is changed, thereby reducing the setup time.

Flat and soft seams (H24)

The sewing machine produces seams with no semi-cylindrical swells by performing sewing while making the feeding lengths of the right and left needle threads equal.



SPECIFICATIONS

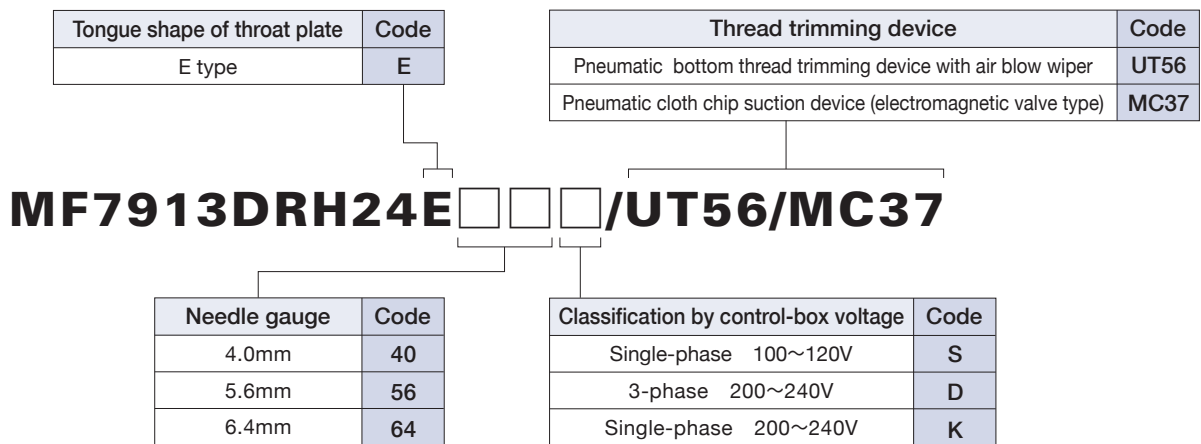
Model name	MF-7913DRH24
Max. sewing speed	5,000 sti/min※
Stitch type	3-needle bottom covering stitch
Feed mechanism	Digital type top-belt feed
Needle	UY128GAS #9S~#12S (#10S)
Lift of the presser foot	5mm~8mm
Lubricating oil	JUKI Machine Oil 18 (equivalent to ISO VG18)
Power requirement / Power consumption	Single-phase100V · 3-phase200V/500VA

※ "sti/min" stands for "Stitches per Minute."

WHEN YOU PLACE ORDERS

Please note when placing orders, that the model name should be written as follows:

Head



Control Box

SC921B

Panel

CP18B



Registered Organization : JUKI CORPORATION Head Office
 The Scope of the Registration : The activities of research, development, design, sales, distribution, and maintenance services of industrial sewing machines, household sewing machines and industrial robots, etc., including sales and maintenance services of data entry systems.

JUKI
JUKI CORPORATION
 SEWING MACHINERY BUSINESS UNIT

2-11-1, TSURUMAKI, TAMA-SHI,
 TOKYO 206-8551, JAPAN
 PHONE : (81) 42-357-2254
 FAX : (81) 42-357-2274
<http://www.juki.com>

Specifications and appearance are subject to change without prior notice for improvement.
 Read the instruction manual before putting the machine into service to ensure safety.
 This catalogue prints with environment-friendly soyink on recycle paper.